

INSTRUCTION MANUAL

APW-14

Auto Parts Washer-Wall or Bench Model (240V) 14 Litre Tank



A369

23-8-11

A369**14L PARTS WASHER WALL/BENCH MOUNT****MICRO CLEANER****INSTRUCTION MANUAL****WARNINGS**

Read carefully before operating.

- Do not overfill with solvent
- Do not use any flammable solvent.
- Only use non-flammable solvents approved for parts washers
- Use only in a well-ventilated area.
- Replace damaged parts immediately
- Use only grounded 240v/50hz outlet

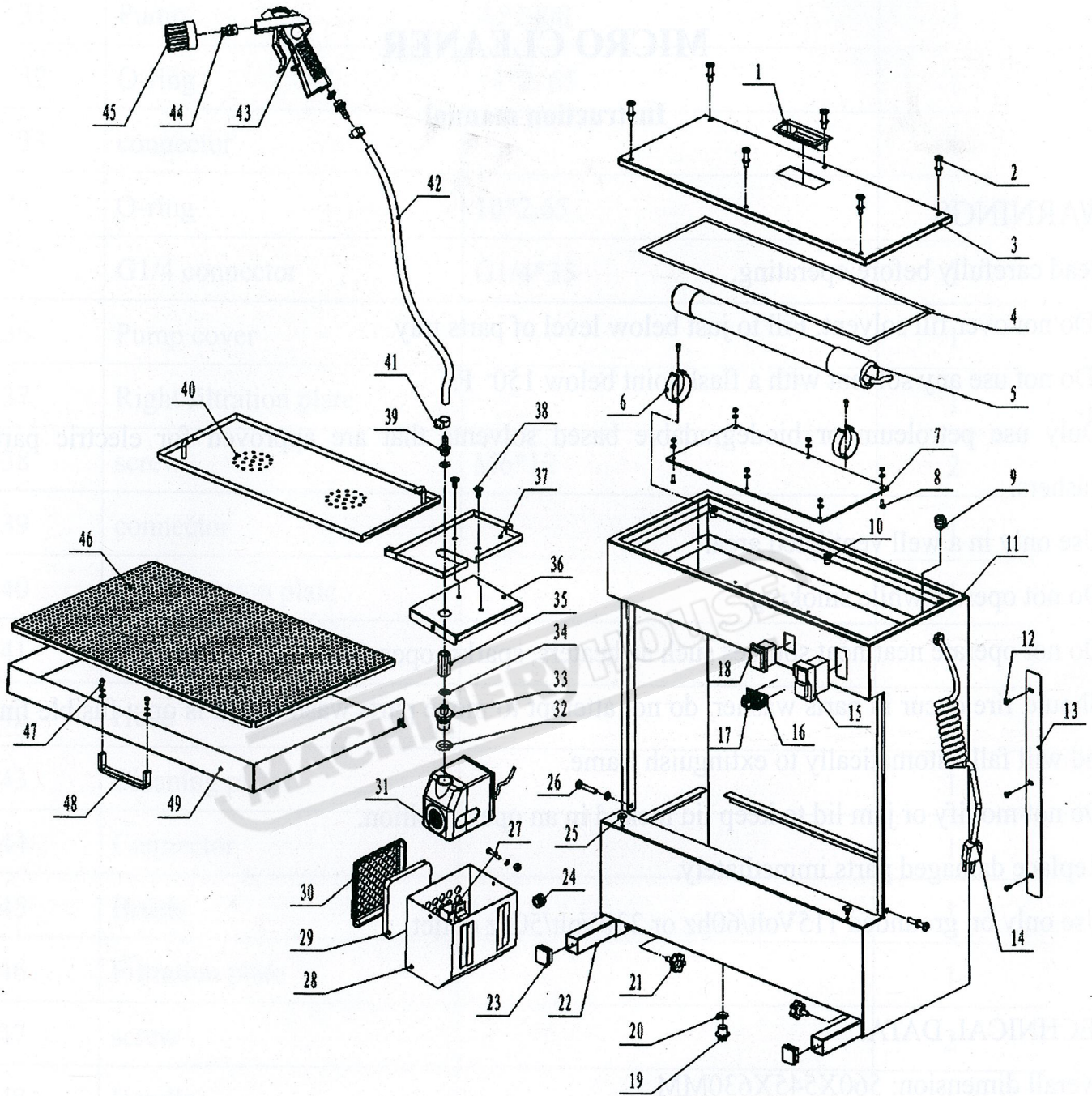
TECHNICAL DATA

- Max solvent capacity 14L
- Flowing rate 1.9L/min'
- Power 240v 50hz
- Net Weight 24.5kg

WARNING

USE ONLY NON-FLAMMABLE
WATER BASED CLEANING
FLUIDS IN THIS MACHINE.
USING FLUIDS CONTRARY TO
THIS IS DANGEROUS

- Read instructions before operating.
- Use only water and solvents approved for water based parts washers, do not use petrol or any other flammable diluent.
- Some solvents may be harmful. Wear appropriate safety gloves and goggles for protection.
- Ensure the solvent “Material Data Sheet” is read and kept in close proximity with machine.
 - Use only in a well-ventilated area.
 - Close the lid when not in use.



PART NO.	DESCRIPTION	SPECIFICATION	QTY
1.	Plastic knob		1
2	screw	M6*25	6

3	Top cover	Q195	1
4	Seal tape		1
5	Light		1
6	light clipper		2
7	Organic glass		1
8	Screw	M4*12	6
9	Feed through		2
10	Nut	M6	8
11	Body		1
12	Screw	M4*8	3
13	Cable fixing plate	Q195	1
14	cable		1
15	Switch	KJD17	1
16	Fixing plate	Q195	1
17	clipper		1
18	Switch	KCD4	1
19	plug		1
20	O-ring		1
21	Handle bar		2
22	Support handle		2
23	plug		2
24	Cable sleeve		1
25	Rubber screw		2
26	screw	M6*35	2
27	screw	M5*20	1
28	Pump housing		1
29	Filter		1

30	Filter cover		1
31	Pump	AP2000	1
32	O-ring	14*2.65	1
33	connector		1
34	O-ring	10*2.65	3
35	G1/4 connector	G1/4*35	1
36	Pump cover		1
37	Right filtration plate		1
38	screw	M6*12	2
39	connector		1
40	Left filtration plate		1
41	clipper		2
42	Hose		1
43	Cleaning pistol		1
44	Connector		1
45	Brush		1
46	Filtration plate		1
47	screw		2
48	Handle		1
49	Front door		1